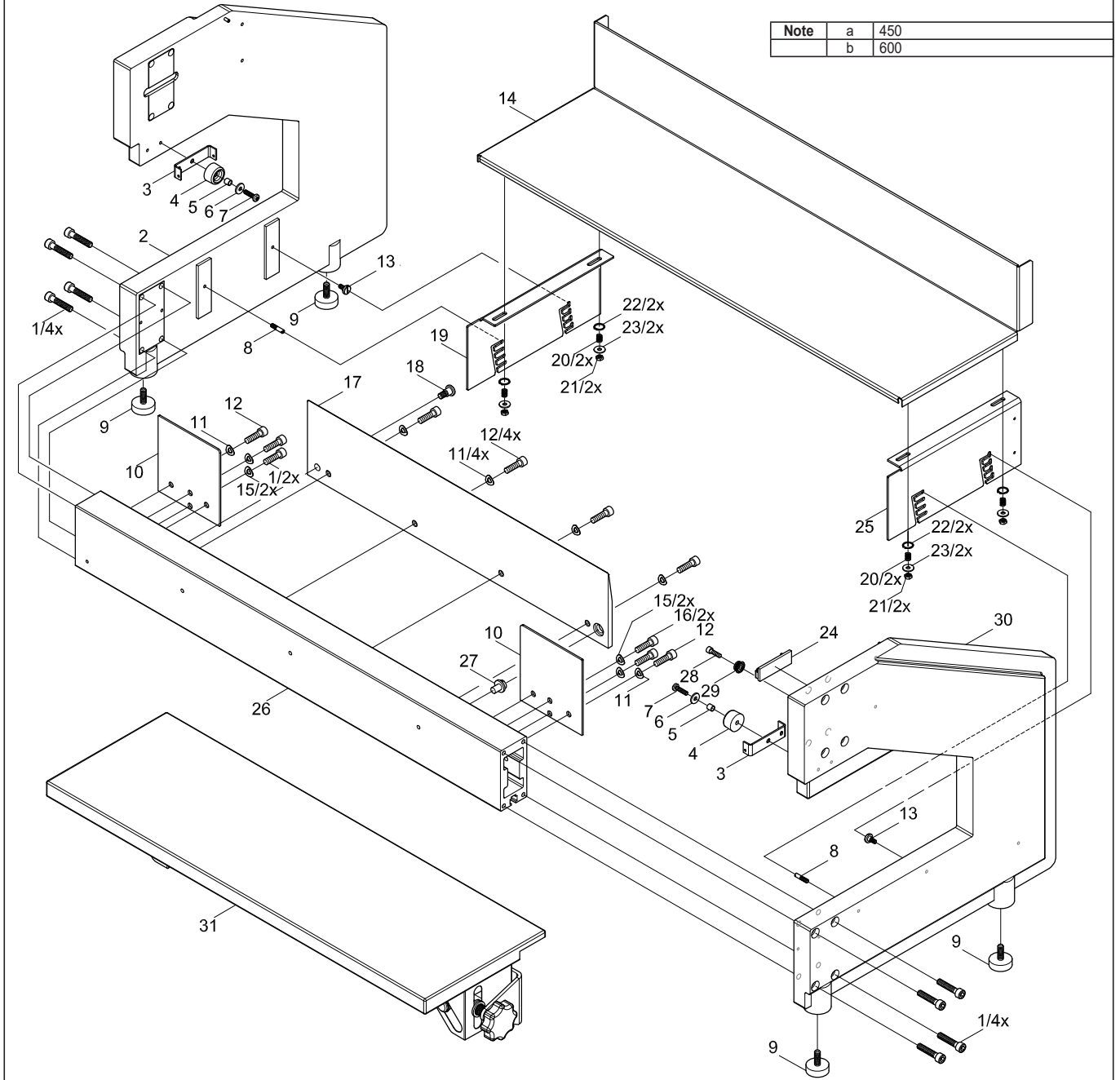


6.1 Side Parts C Profile, Linear Blade

| No | Part No. | Description | PU | Note | Serial No. | |
|------|-------------|-------------------------|----|------|------------|----|
| | | | | | from | to |
| 1 | 5902082.001 | Screw DIN912-M6x30 | 10 | | | |
| 2 | 8936866.001 | C Profile | 1 | | | |
| 3 | 8930823.001 | Bracket | 1 | | | |
| 4 | 5905141.001 | Foot | 5 | | | |
| 5 | 8930946.001 | Bushing | 1 | | | |
| 6 | 5903520.001 | Washer DIN7349-4.3 | 10 | | | |
| 7 | 5902052.001 | Screw DIN7985 M4x16 | 10 | | | |
| 8 | 8930818.001 | Set Screw | 10 | | | |
| 9 | 5905372.001 | Buffer | 1 | | | |
| 10 | 8930949.001 | Blade Shield | 1 | | | |
| 11 | 5903010.001 | Spring Washer DIN137-A6 | 10 | | | |
| 12 | 5902169.001 | Screw DIN912-M6x14 | 10 | | | |
| 13 | 8930646.001 | Knurled Screw | 1 | | | |
| 14.1 | 8930884.001 | Table | 1 | a | | |
| 14.2 | 8931182.001 | Table | 1 | b | | |
| 15 | 5903012.001 | Spring Washer DIN137-A5 | 10 | | | |
| 16 | 5902159.001 | Screw DIN912-M5x12 | 10 | | | |

| No | Part No. | Description | PU | Note | Serial No. | |
|------|-------------|-----------------------|----|------|------------|----|
| | | | | | from | to |
| 17.1 | 8933394.001 | Linear Blade | 1 | a | | |
| 17.2 | 8933682.001 | Linear Blade | 1 | b | | |
| 18 | 5902122.001 | Screw DIN923-M6x6 | 10 | | | |
| 19 | 8930886.001 | Comb | 1 | | | |
| 20 | 5905079.001 | Spring | 1 | | | |
| 21 | 5902501.001 | Nut DIN934-M4 | 10 | | | |
| 22 | 5903527.001 | Snap Ring DIN471-10x1 | 10 | | | |
| 23 | 5903005.001 | Washer DIN9021-4.3 | 10 | | | |
| 24 | 5901561.001 | Cable Clamp | 10 | | | |
| 25 | 8930885.001 | Comb | 1 | | | |
| 26.1 | 8930959.001 | Beam | 1 | a | | |
| 26.2 | 8931185.001 | Beam | 1 | b | | |
| 27 | 8930605.001 | Eccentric Axle | 1 | | | |
| 28 | 5902241.001 | Screw DIN7984-M4x10 | 10 | | | |
| 29 | 5905116.001 | Ground Button | 1 | | | |
| 30 | 8936864.001 | C Profile | 1 | | | |
| 31.1 | 8931120.001 | Adjustable Platform | 1 | a | | |
| 31.2 | 8931186.001 | Adjustable Platform | 1 | b | | |

| Note | a | 450 |
|------|---|-----|
| | b | 600 |

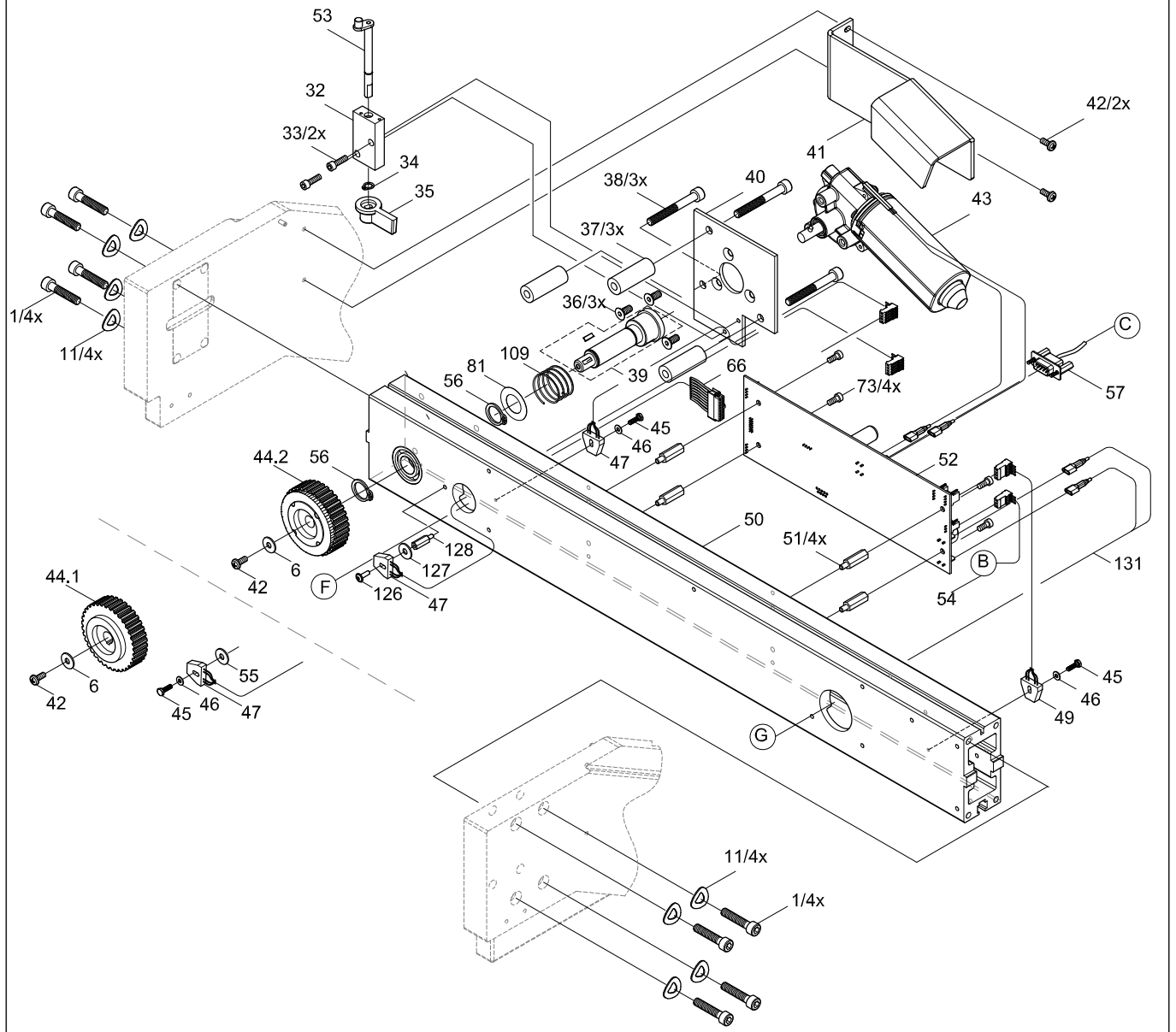


6.2 Main Motor

| No | Part No. | Description | PU | Note | Serial No. | |
|------|-------------|-------------------------|----|------|------------|------|
| | | | | | from | to |
| 1 | 5902082.001 | Screw DIN912-M6x30 | 10 | | | |
| 6 | 5903520.001 | Washer DIN7349-4.3 | 10 | | | |
| 11 | 5903010.001 | Spring Washer DIN137-A6 | 10 | | | |
| 32 | 8930988.001 | Bearing Plate | 1 | | | |
| 33 | 5902014.001 | Screw DIN912-M4x14 | 10 | | | |
| 34 | 5903521.001 | Snap Ring DIN471-A6 | 10 | | | |
| 35 | 5530340.001 | Lever | 1 | | | |
| 36 | 5902161.001 | Screw DIN7991 M6x10 | 10 | | | |
| 37 | 8930857.001 | Spacer | 1 | | | |
| 38 | 5902263.001 | Screw DIN912-M6x50 | 10 | | | |
| 39 | 8936883.001 | Hub | 1 | | | |
| 40 | 8936855.001 | Motor Plate | 1 | | | |
| 41 | 8936877.001 | Heatsink Bracket | 1 | | | |
| 42 | 5902483.001 | Screw DIN6912-M4x10 | 10 | | | |
| 43 | 8936856.001 | Main Drive | 1 | | | |
| 44.1 | 8930809.001 | Gear 36 | 1 | | | 4374 |
| 44.2 | 8936940.001 | Gear 36 | 1 | | 4375 | |
| 45 | 5902245.001 | Screw DIN933-M3x10 | 10 | | | 4374 |
| 46 | 5903004.001 | Washer DIN125-A3.2 | 10 | | | |
| 47.1 | 8930916.001 | Sensor | 1 | a | | |
| 47.2 | 8936916.001 | Sensor | 1 | b | | |

| No | Part No. | Description | PU | Note | Serial No. | |
|------|-------------|---------------------|----|------|------------|------|
| | | | | | from | to |
| 49 | 8930915.001 | Edge Sensor | 1 | | | |
| 50.1 | 8936858.001 | Beam | 1 | a | | |
| 50.2 | 8936898.001 | Beam | 1 | b | | |
| 51 | 8936871.001 | Bolt | 1 | | | |
| 52.1 | 8936814.001 | PCB Control | 1 | | | 4374 |
| 52.2 | 8936937.001 | PCB Control | 1 | | 4375 | |
| 53 | 8930985.001 | Coupler | 1 | | | |
| 54 | 8936896.001 | Bushing | 1 | | | |
| 55 | 5903062.001 | Washer 3.2x9.0x1.5 | 10 | | | 4374 |
| 56 | 5903539.001 | E-Ring DIN471-16x1 | 10 | | | |
| 57.1 | 8936846.001 | Energy Track | 1 | a | | |
| 57.2 | 8936847.001 | Energy Track | 1 | b | | |
| 66 | 8936804.001 | Cable | 1 | | | |
| 73 | 5902358.001 | Screw DIN7984-M4x6 | 10 | | | |
| 81 | 8930992.001 | Washer | 1 | | | |
| 109 | 5905040.001 | Spring | 1 | | | |
| 126 | 5902908.001 | Screw M3x10 | 10 | | | 4375 |
| 127 | 5903125.001 | Washer DIN9021-3.2 | 10 | | | 4375 |
| 128 | 5900025.001 | Distance Bolt M3x14 | 10 | | | 4375 |
| 131 | 8936805.001 | Emergency Switch | 1 | | | |

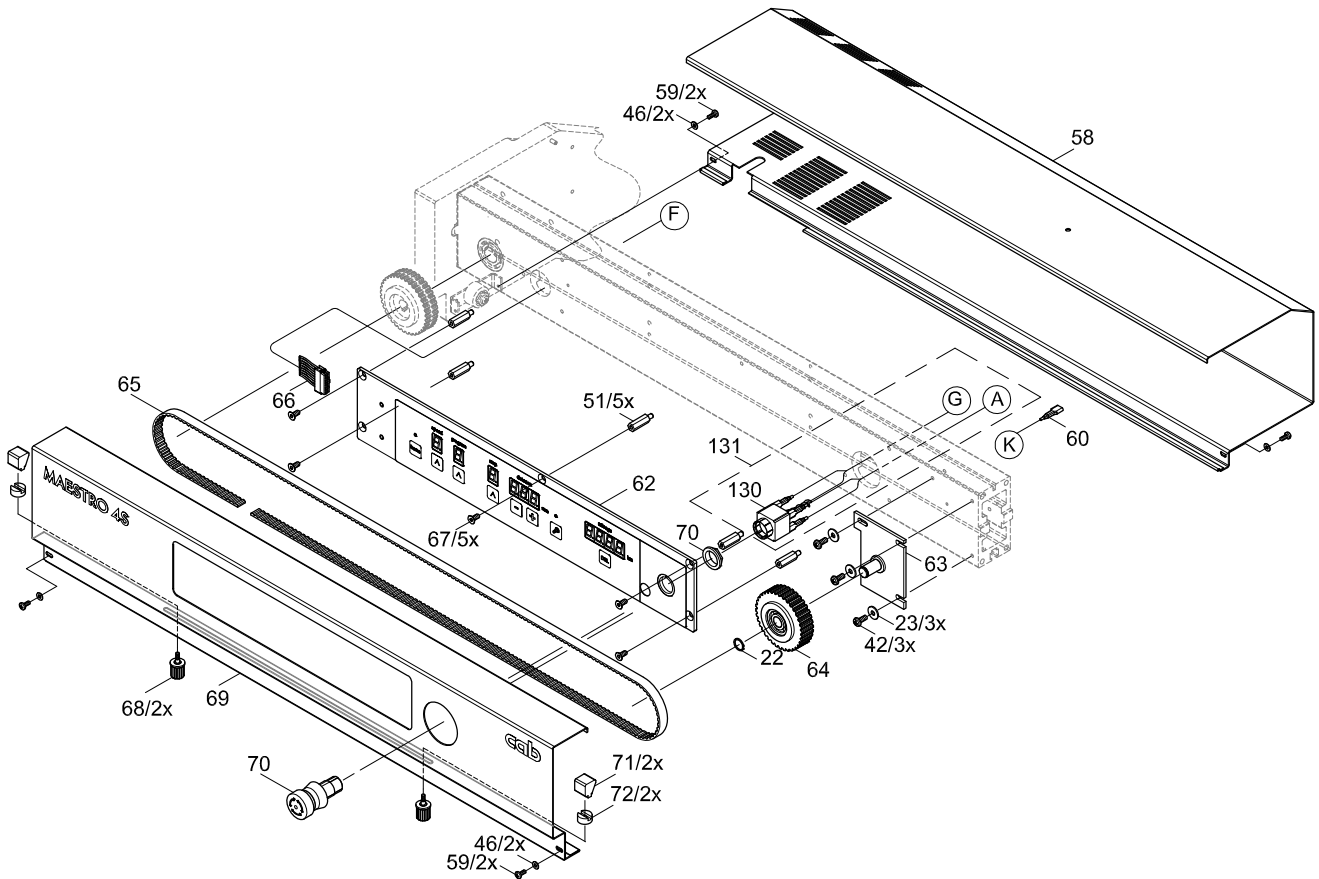
| Note | a | 450 |
|------|---|-----|
| | b | 600 |



6.3 Upper Beam, Control Panel

| No | Part No. | Description | PU | Note | Serial No. | |
|------|-------------|------------------------------|----|------|------------|----|
| | | | | | from | to |
| 22 | 5903527.001 | Snap Ring DIN471-10x1 | 10 | | | |
| 23 | 5903005.001 | Washer DIN9021-4.3 | 10 | | | |
| 42 | 5902483.001 | Screw DIN6912-M4x10 | 10 | | | |
| 46 | 5903004.001 | Washer DIN125-A3.2 | 10 | | | |
| 58.1 | 8936822.001 | Cover | 1 | a | | |
| 58.2 | 8936862.001 | Cover | 1 | b | | |
| 59 | 5902026.001 | Screw DIN7985-M3x6 | 10 | | | |
| 60 | 8930981.001 | Cable Grounding | 1 | | | |
| 61 | 8936871.001 | Bolt | 1 | | | |
| 62 | 8936870.001 | Control Panel | 1 | | | |
| 63 | 8930868.001 | Tightener | 1 | | | |
| 64 | 8930854.001 | Tensioning Wheel | 1 | | | |
| 65.1 | 8930961.001 | Belt | 1 | a | | |
| 65.2 | 8931181.001 | Belt | 2 | b | | |
| 66 | 8936804.001 | Cable | 1 | | | |
| 67 | 5902304.001 | Screw DIN7991-M4x6 | 10 | | | |
| 68 | 8936834.001 | Knurled Screw | 1 | | | |
| 69.1 | 8936821.001 | Cover | 1 | a | | |
| 69.2 | 8936867.001 | Cover | 1 | b | | |
| 70 | 5917167.001 | Emergency Switch Push Button | 1 | | | |
| 71 | 8936837.001 | Stopper | 1 | | | |
| 72 | 8936891.001 | Washer | 1 | | | |
| 130 | 5917168.001 | Switch Unit | 1 | | | |
| 131 | 8936805.001 | Emergency Switch | 1 | | | |

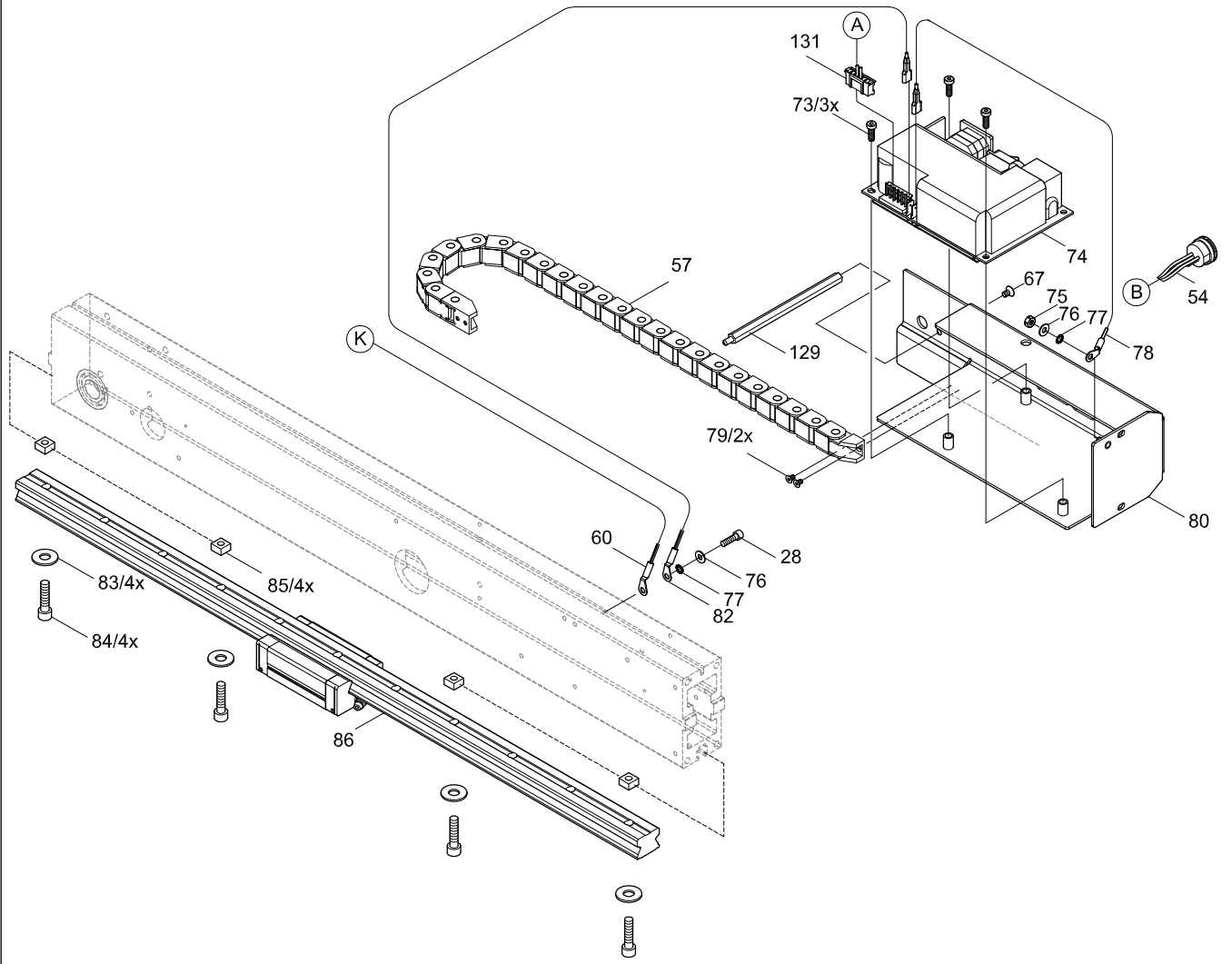
| | | |
|------|---|-----|
| Note | a | 450 |
| | b | 600 |



6.4 Power Supply

| No | Part No. | Description | PU | Note | Serial No. | |
|------|-------------|-----------------------------|----|------|------------|----|
| | | | | | from | to |
| 28 | 5902241.001 | Screw DIN7984-M4x10 | 10 | | | |
| 54 | 8936896.001 | Bushing | 1 | | | |
| 57.1 | 8936846.001 | Energy Track | 1 | a | | |
| 57.2 | 8936847.001 | Energy Track | 1 | b | | |
| 60 | 8930981.001 | Cable Grounding | 1 | | | |
| 73 | 5902358.001 | Screw DIN7984-M4x6 | 10 | | | |
| 74 | 5551126.001 | Power Supply | 1 | | | |
| 75 | 5902510.001 | Nut DIN934-M4 | 10 | | | |
| 76 | 5903033.001 | Washer DIN125-A4.3 | 10 | | | |
| 77 | 5903011.001 | Toothed Washer DIN6797-A4.3 | 10 | | | |
| 78 | 5534176.001 | Cable Grounding | 1 | | | |
| 79 | 5902047.001 | Screw DIN7991-M3x5 | 10 | | | |
| 80 | 8936850.001 | Bracket Power Supply | 1 | | | |
| 82 | 8936844.001 | Ground Cable | 1 | | | |
| 83 | 5903028.001 | Washer DIN433-6.4 | 10 | | | |
| 84 | 5902178.001 | Screw DIN912-M6x20 | 10 | | | |
| 85 | 5902525.001 | Nut DIN557-M6 | 10 | | | |
| 86.1 | 5905183.001 | Guide L=640 | 1 | a | | |
| 86.2 | 5905347.001 | Guide L=780 | 1 | b | | |
| 131 | 8936805.001 | Emergency Switch | 1 | | | |

| Note | a | 450 |
|------|---|-----|
| | b | 600 |



6.5 Carriage With Roller Blade

| No | Part No. | Description | PU | Note | Serial No. | |
|-------|-------------|------------------------|----|------|------------|------|
| | | | | | from | to |
| 28 | 5902241.001 | Screw DIN7984-M4x10 | 10 | | | |
| 45 | 5902245.001 | Screw DIN933-M3x10 | 10 | | | |
| 46 | 5903004.001 | Washer DIN125-A3.2 | 10 | | | |
| 57.1 | 8936846.001 | Energy Track | 1 | a | | |
| 57.2 | 8936847.001 | Energy Track | 1 | b | | |
| 79 | 5902047.001 | Screw DIN7991-M3x5 | 10 | | | |
| 87 | 5902144.001 | Screw DIN7984-M3x5 | 10 | | | |
| 88 | 8936869.001 | Cover | 1 | | | |
| 89 | 5902521.001 | Nut DIN439-M3 | 10 | | | |
| 90 | 5902056.001 | Screw DIN965-M3x8 | 10 | | | |
| 91 | 8930852.001 | Bracket | 1 | | | |
| 92 | 8936809.001 | Sensor | 1 | | | |
| 93 | 8930901.001 | Plate | 1 | | | |
| 94 | 8930810.001 | Fixing | 1 | | | |
| 95 | 8936824.001 | Bracket | 1 | | | |
| 96 | 8936946.001 | Carriage | 1 | | | |
| 97 | 5902010.001 | Screw DIN912-M3x10 | 10 | | | |
| 98 | 8936808.001 | Sensor | 1 | | | |
| 99 | 8936890.001 | Holder | 1 | | | |
| 100 | 5900516.001 | Spacer Bushing PA M3x5 | 10 | | | |
| 101 | 8936817.001 | PCB Splitter | 1 | | | |
| 102 | 5900073.001 | Distance Bolt M3x14 | 10 | | | |
| 103 | 5904527.001 | Set Screw DIN913 M4x30 | 10 | | | |
| 104.1 | 5902030.001 | Screw DIN7991-M3x12 | 10 | | | 4504 |
| 104.2 | 5902010.001 | Screw DIN912-M3x10 | 10 | | 4505 | |

| No | Part No. | Description | PU | Note | Serial No. | |
|-------|-------------|-------------------------|----|------|------------|------|
| | | | | | from | to |
| 105.1 | 8931628.001 | Set Knob | 1 | | | 4504 |
| 105.2 | 8936943.001 | Set Knob | 1 | | 4505 | |
| 106.1 | 8931627.001 | Guide Washer | 1 | | | 4504 |
| 106.2 | 8936945.001 | Guide Washer | 1 | | 4505 | |
| 107.1 | 8931630.001 | Plate | 1 | | | 4504 |
| 107.2 | 8936944.001 | Plate | 1 | | 4505 | |
| 108 | 8936841.001 | Bushing | 1 | | | |
| 110 | 8936615.001 | Shield | 1 | | | |
| 111 | 8936643.001 | Eccentric Axle | 1 | | | |
| 112 | 8936614.001 | Shield | 1 | | | |
| 113 | 8930590.001 | Screw | 1 | | | |
| 114 | 8936833.001 | Guiding | 1 | | | |
| 116 | 5903026.001 | Washer DIN988-15x21x0.1 | 10 | | | |
| 117.1 | 8930509.001 | Circular Blade | 1 | | | |
| 118 | 8936886.001 | Knurled Nut | 1 | | | |
| 119 | 8936843.001 | Motor Bracket | 1 | | | |
| 120 | 5902137.001 | Screw DIN912-M6x12 | 10 | | | |
| 121 | 5900061.001 | Distance Bolt M4x25 | 10 | | | |
| 122 | 8936888.001 | Distance Bolt | 1 | | | |
| 123 | 8936778.001 | Slipping Clutch | 1 | | | |
| 124 | 8936914.001 | Motor | 1 | | | |
| 125 | 8936807.001 | Cable | 1 | | | |
| 132 | 8936953.001 | Set Knob cpl. | 1 | | | |

| Note | a | 450 |
|------|---|-----|
| | b | 600 |

